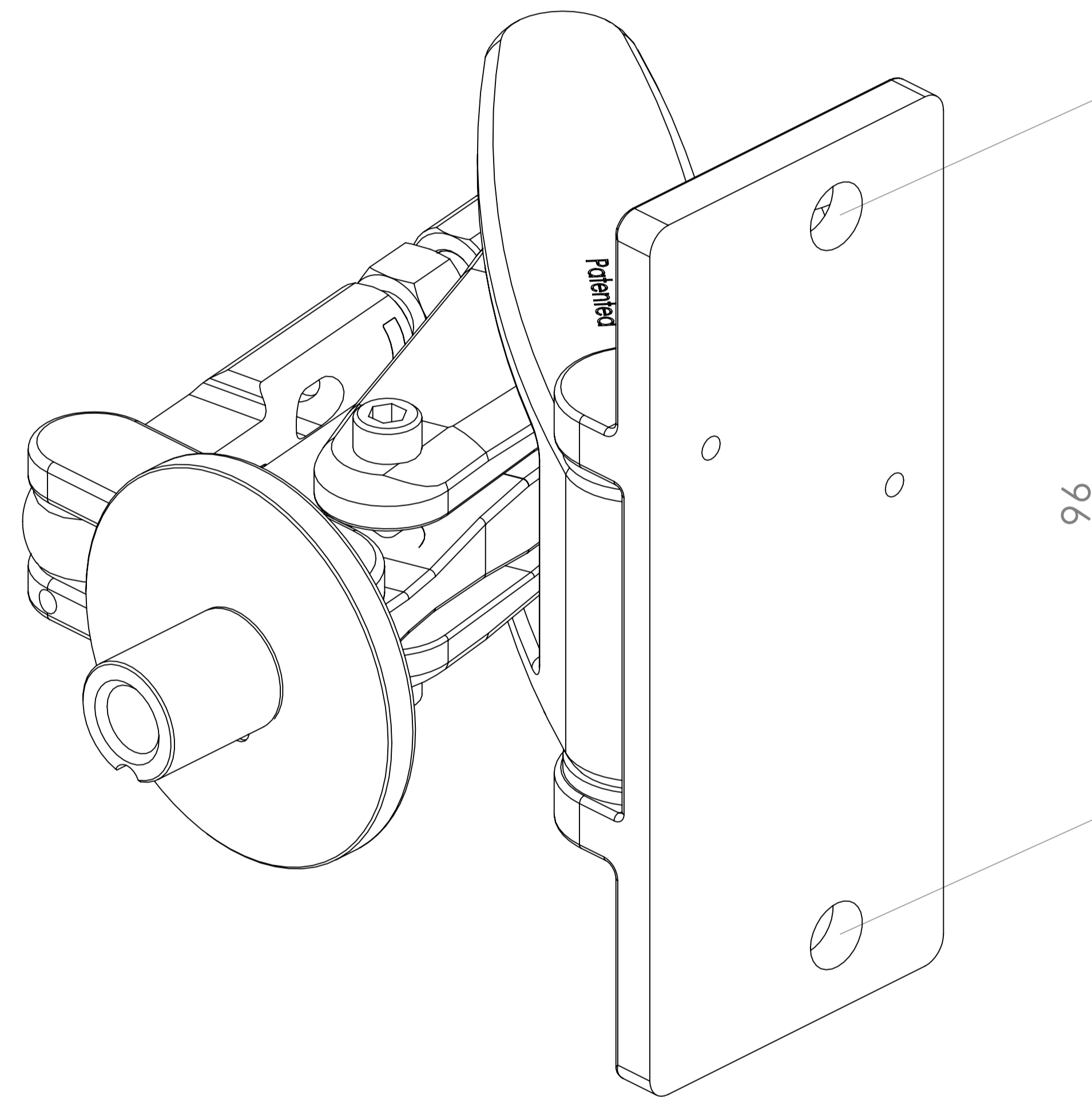




reddot design award
winner 2009



MFH 200-02-04