

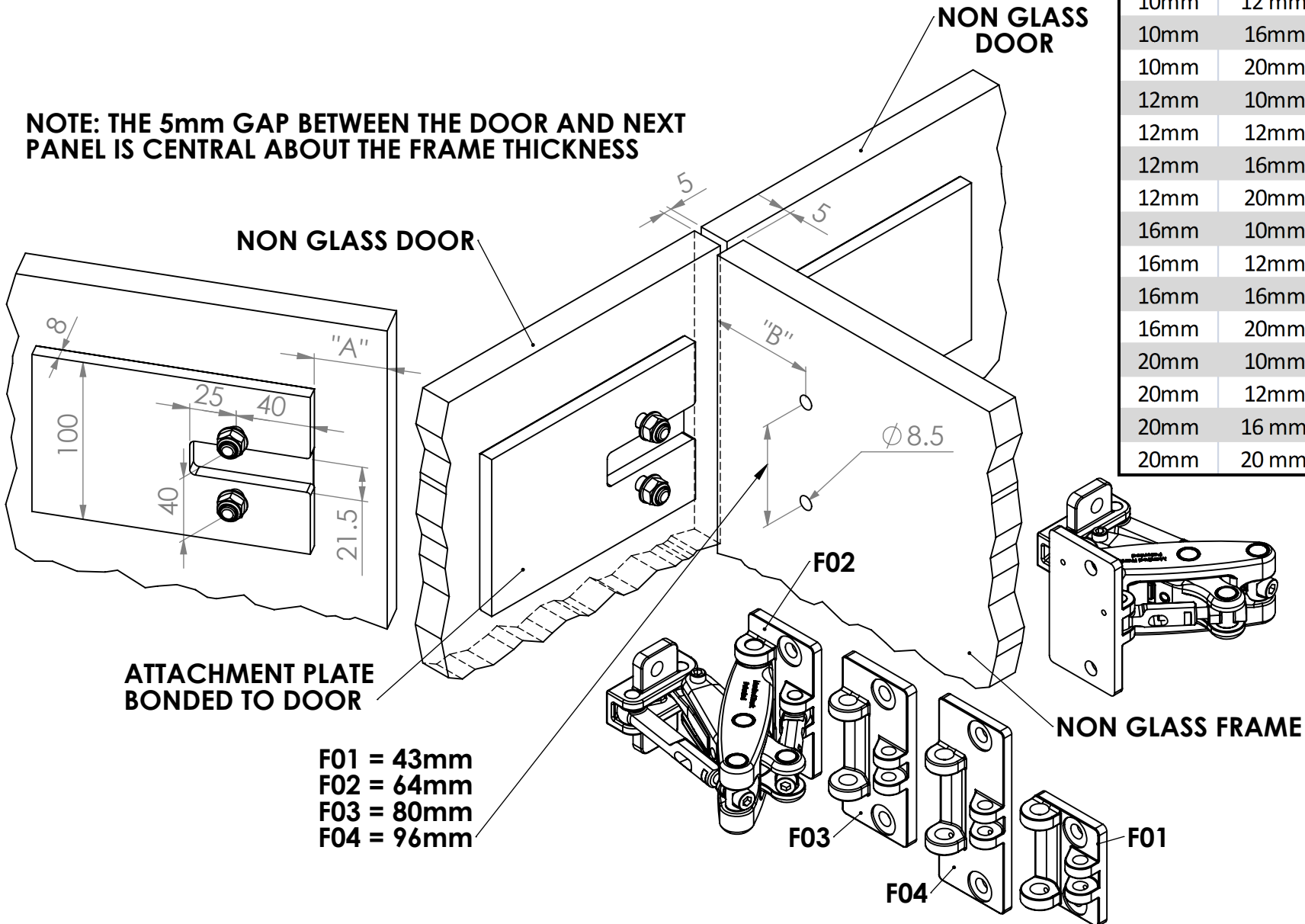
# MFH 200 and MFH 300 MICROMASTER

CURTAIN WALL B2B D03 FRONT MOUNT BONDED

NON GLASS DOOR TO NON GLASS FRAME

DOOR	FRAME	"A"	"B"
10mm	10 mm	17	60
10mm	12 mm	17	60
10mm	16mm	19	60
10mm	20mm	21	60
12mm	10mm	17	60
12mm	12mm	17	60
12mm	16mm	19	60
12mm	20mm	21	60
16mm	10mm	17	60
16mm	12mm	17	60
16mm	16mm	19	60
16mm	20mm	21	60
20mm	10mm	17	60
20mm	12mm	17	60
20mm	16 mm	19	60
20mm	20 mm	21	60

**NOTE: THE 5mm GAP BETWEEN THE DOOR AND NEXT PANEL IS CENTRAL ABOUT THE FRAME THICKNESS**



- F01 = 43mm
- F02 = 64mm
- F03 = 80mm
- F04 = 96mm

