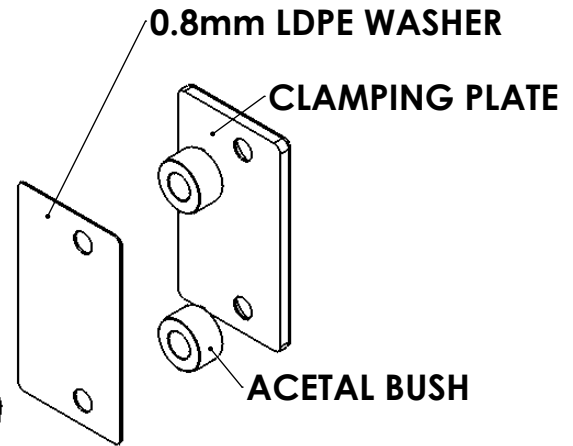
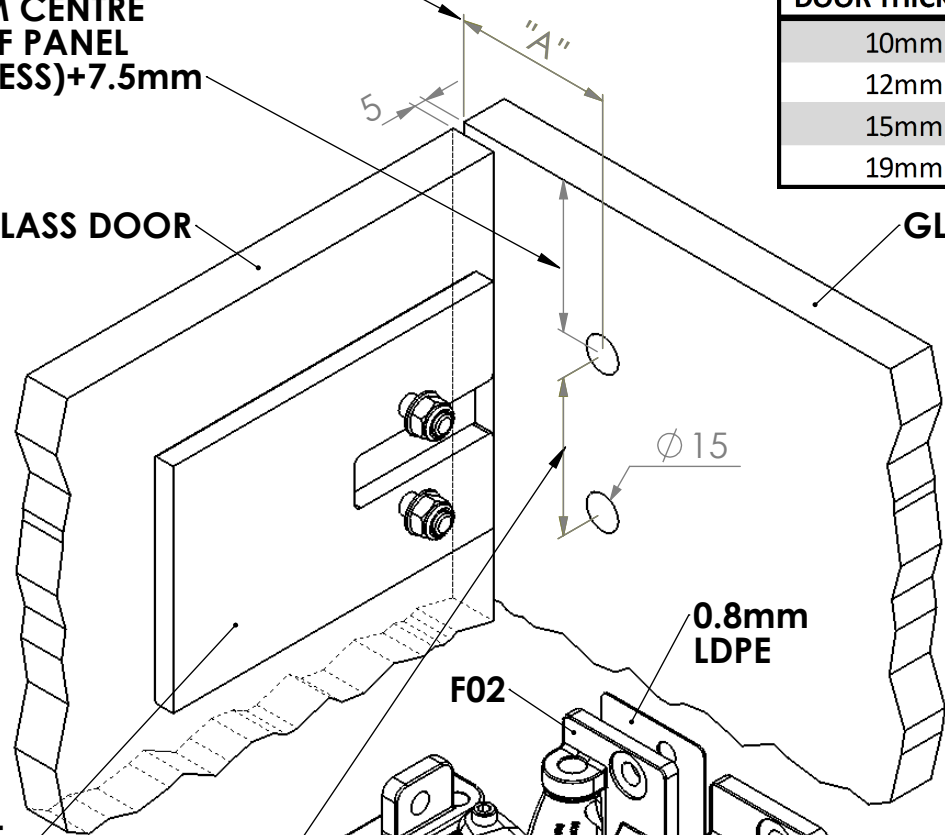
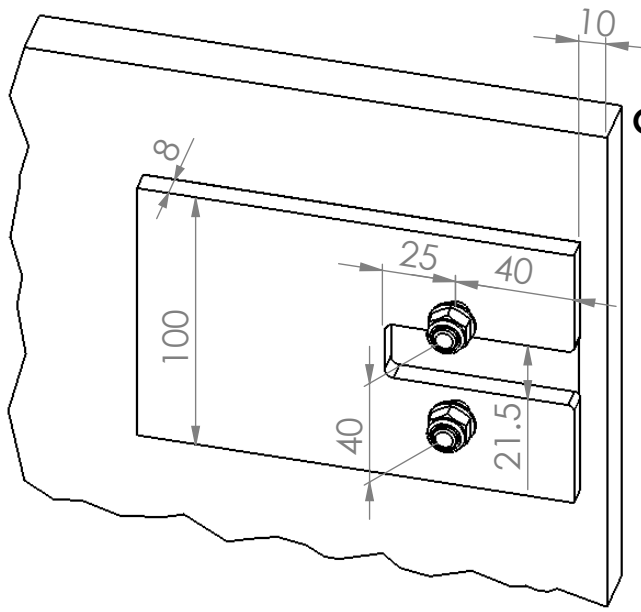


| MFH 200 and MFH 300 MICROMASTER | |
|---------------------------------|-----|
| INSET D03 FRONT MOUNT BONDED | |
| GLASS DOOR TO GLASS FRAME | |
| DOOR THICKNESS | "A" |
| 10mm | 75 |
| 12mm | 77 |
| 15mm | 80 |
| 19mm | 84 |

DIMENSION "A" = DOOR THICKNESS + 65mm

MIN DISTANCE FROM CENTRE OF HOLE TO EDGE OF PANEL = (4 X GLASS THICKNESS) + 7.5mm



ATTACHMENT PLATE BONDED TO GLASS

- F02 = 64mm (10 and 12mm)
- F03 = 80mm (10, 12 and 15mm)
- F04 = 96mm (10, 12, 15 and 19mm)

D03 DOOR MOUNT

