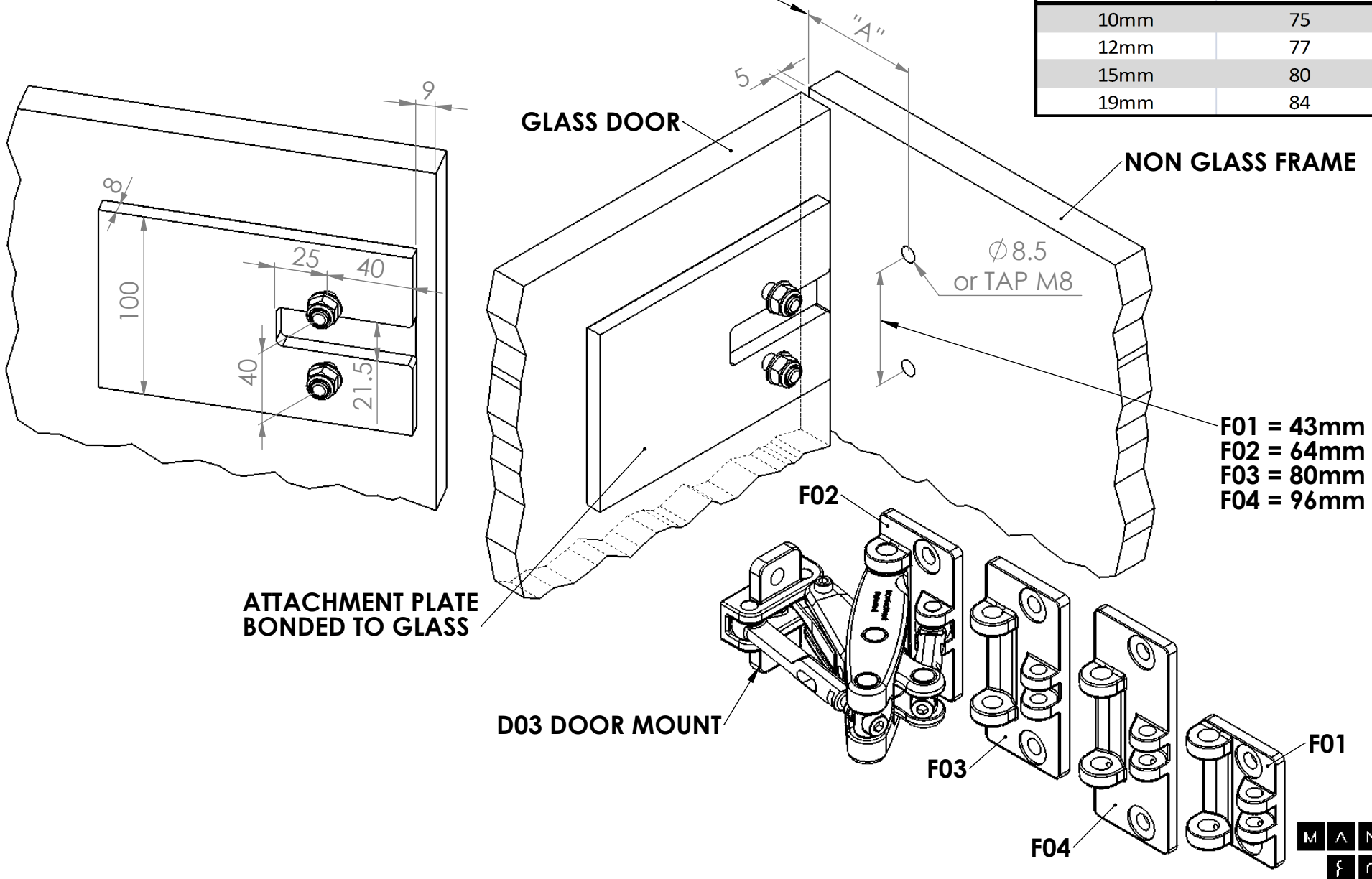


MFH 200 and MFH 300 MICROMASTER	
INSET D03 FRONT MOUNT BONDED	
GLASS DOOR TO NON GLASS FRAME	
DOOR THICKNESS	"A"
10mm	75
12mm	77
15mm	80
19mm	84

**DIMENSION "A" = DOOR THICKNESS + 65mm**



- F01 = 43mm
- F02 = 64mm
- F03 = 80mm
- F04 = 96mm

