

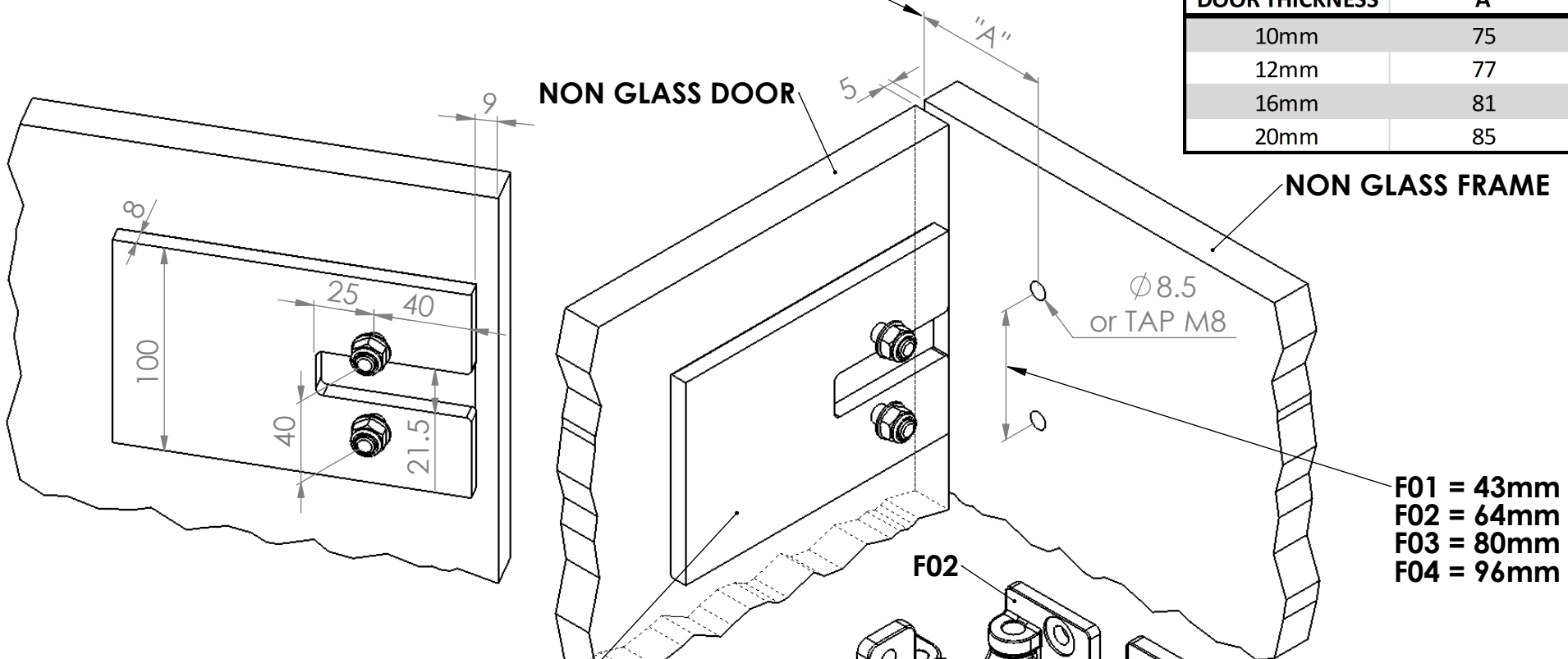
MFH 200 and MFH 300 MICROMASTER

INSET D03 FRONT MOUNT BONDED

NON GLASS DOOR TO NON GLASS FRAME

DOOR THICKNESS	"A"
10mm	75
12mm	77
16mm	81
20mm	85

DIMENSION "A" = DOOR THICKNESS + 65mm



- F01 = 43mm
- F02 = 64mm
- F03 = 80mm
- F04 = 96mm

**ATTACHMENT PLATE
BONDED TO DOOR**

D03 DOOR MOUNT

