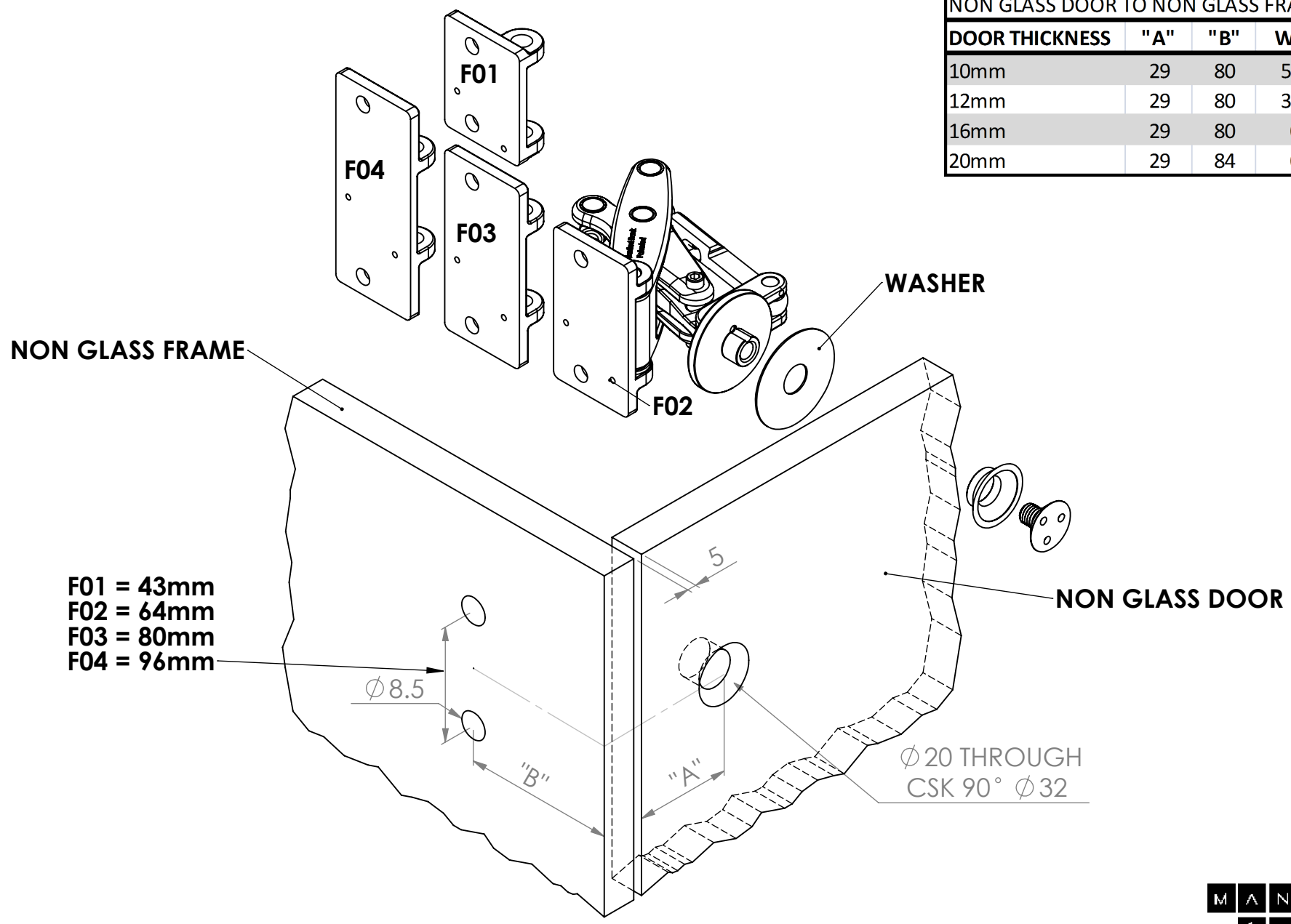


MFH 200 and MFH 300 MICROMASTER

INSET D01 and D02 FRONT MOUNT CSK
 NON GLASS DOOR TO NON GLASS FRAME

DOOR THICKNESS	"A"	"B"	WASHER	SPACER
10mm	29	80	5.5mm	N/A
12mm	29	80	3.5mm	N/A
16mm	29	80	0mm	N/A
20mm	29	84	0mm	N/A



F01 = 43mm
 F02 = 64mm
 F03 = 80mm
 F04 = 96mm

