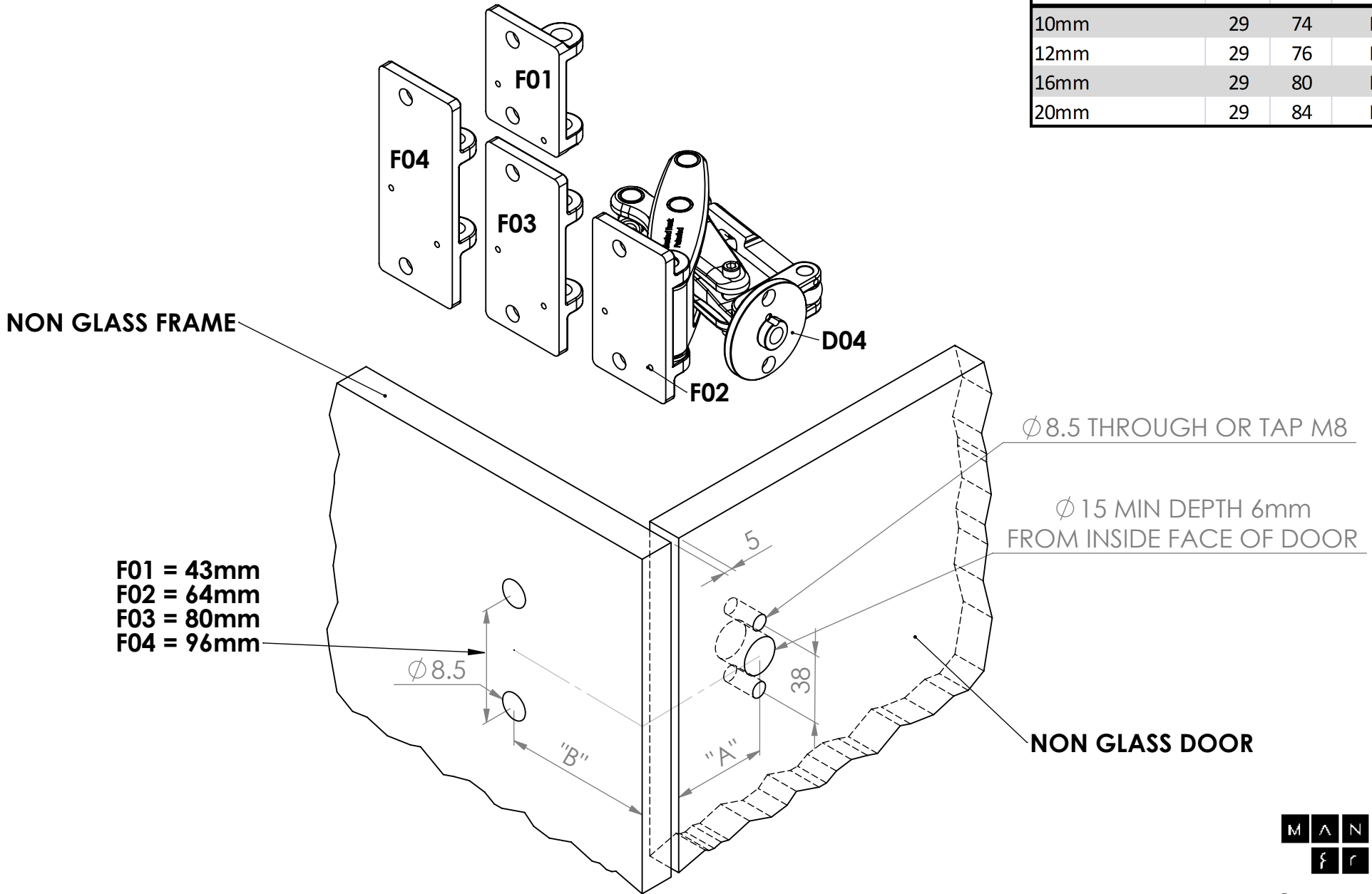


MFH 200 and MFH 300 MICROMASTER				
INSET D04 FRONT MOUNT				
NON GLASS DOOR TO NON GLASS FRAME				
DOOR THICKNESS	"A"	"B"	WASHER	SPACER
10mm	29	74	N/A	N/A
12mm	29	76	N/A	N/A
16mm	29	80	N/A	N/A
20mm	29	84	N/A	N/A



- F01 = 43mm
- F02 = 64mm
- F03 = 80mm
- F04 = 96mm

