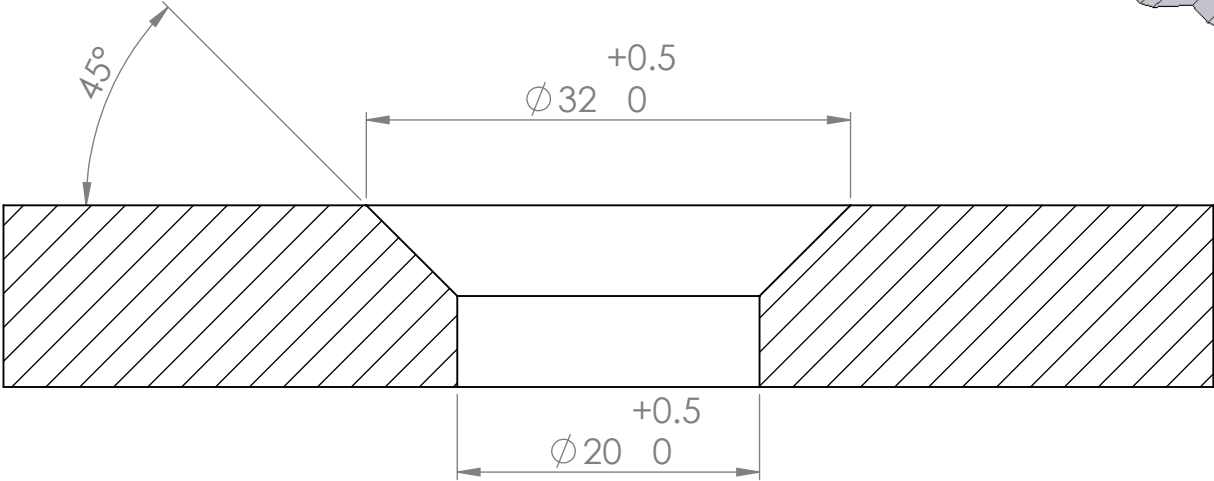
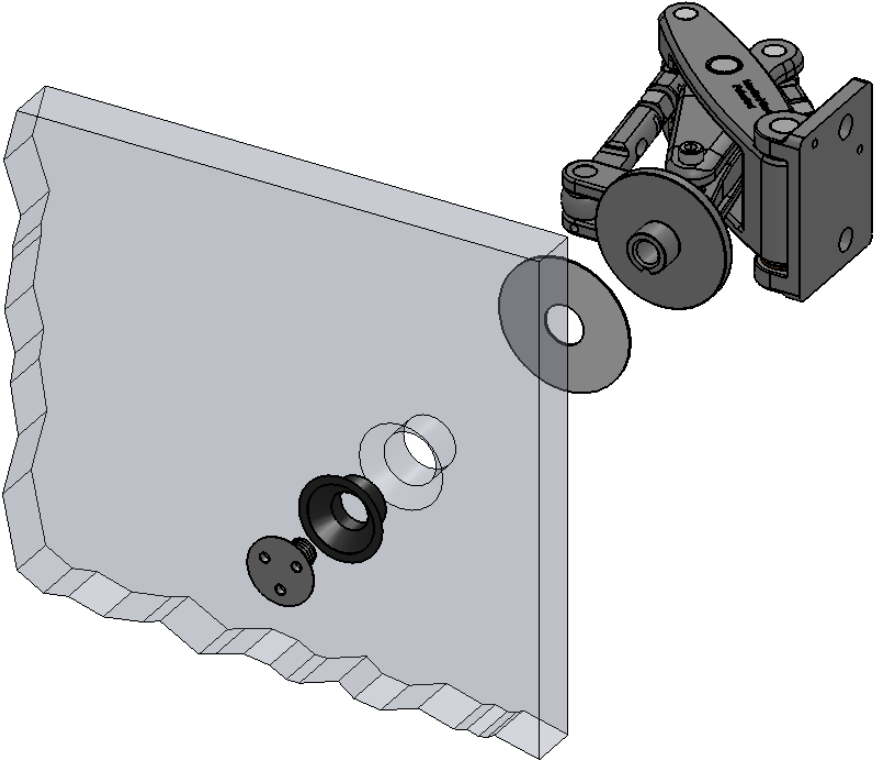


COUNTERSUNK FLUSH FIXING HOLE DETAILS
USE D-01 FOR 10,12 and 15mm DOORS
USE D-02 FOR 19mm DOORS



DIMENSIONS IN mm

