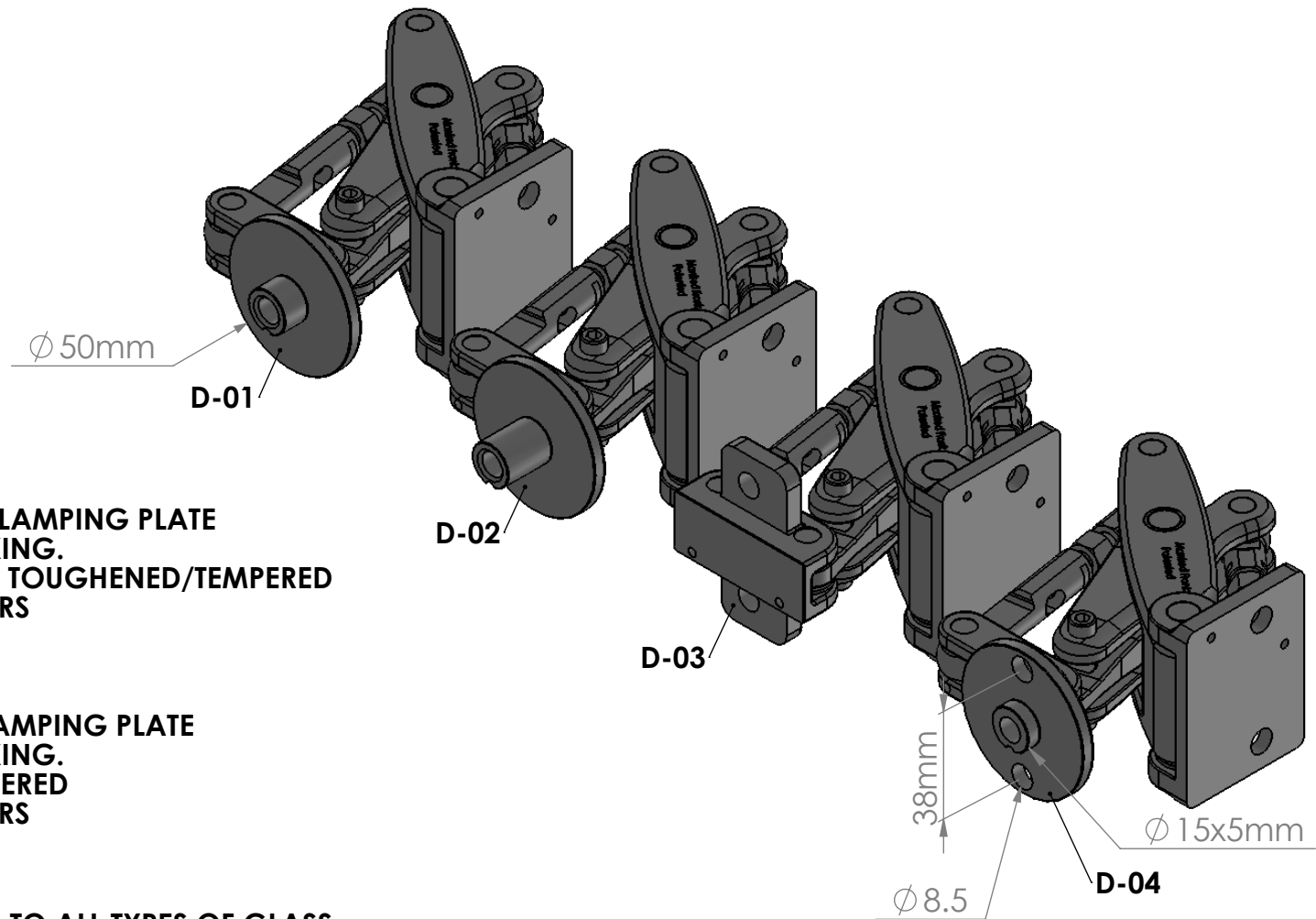


# HINGE DOOR MOUNT CASTING OPTIONS FOR MFH 200 AND MFH 300 MICROMASTER HINGES



**D-01**  
SUITABLE FOR SINGLE POINT CLAMPING PLATE  
AND COUNTERSUNK FLUSH FIXING.  
FOR 10mm, 12mm AND 15mm TOUGHENED/TEMPERED  
GLASS AND NON GLASS DOORS

**D-02**  
SUITABLE FOR SINGLE POINT CLAMPING PLATE  
AND COUNTERSUNK FLUSH FIXING.  
FOR 19mm TOUGHENED/TEMPERED  
GLASS AND NON GLASS DOORS

**D-03**  
SUITABLE FOR BONDED FIXING TO ALL TYPES OF GLASS  
AND NON GLASS DOORS

**D-04**  
SUITABLE FOR FIXING TO NON GLASS DOORS

