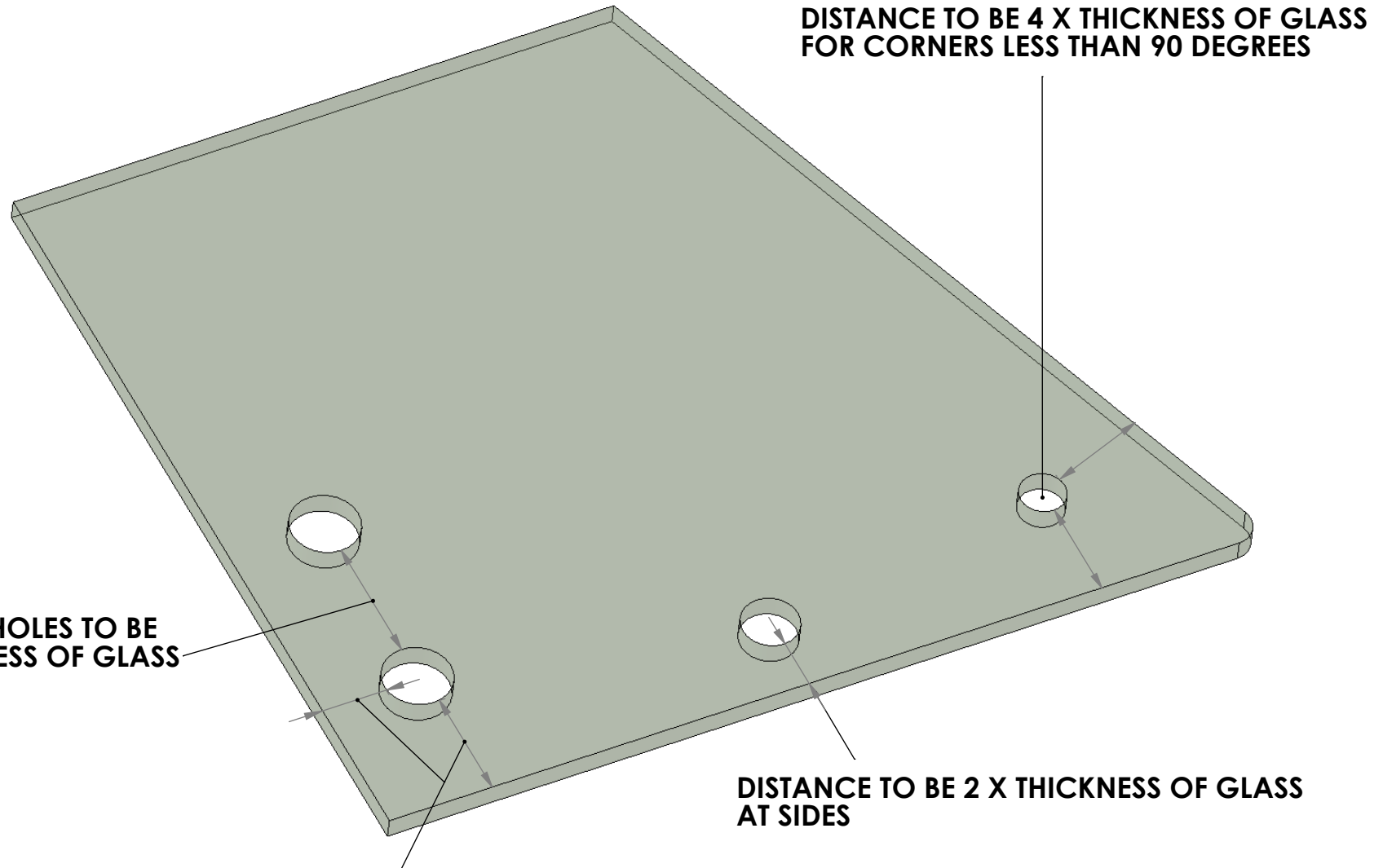


TOUGHENED/TEMPERED GLASS HOLE LOCATION LIMITATIONS FOR PANELS OVER 6mm THICK.



DISTANCE TO BE 4 X THICKNESS OF GLASS FOR CORNERS LESS THAN 90 DEGREES

DISTANCE BETWEEN HOLES TO BE AT LEAST 4 X THICKNESS OF GLASS

DISTANCE MUST BE AT LEAST 4 X THICKNESS OF GLASS FROM ONE EDGE AND 2 X THICKNESS FROM OTHER EDGE FOR HOLES IN CORNERS 90 DEGREES AND OVER

DISTANCE TO BE 2 X THICKNESS OF GLASS AT SIDES

