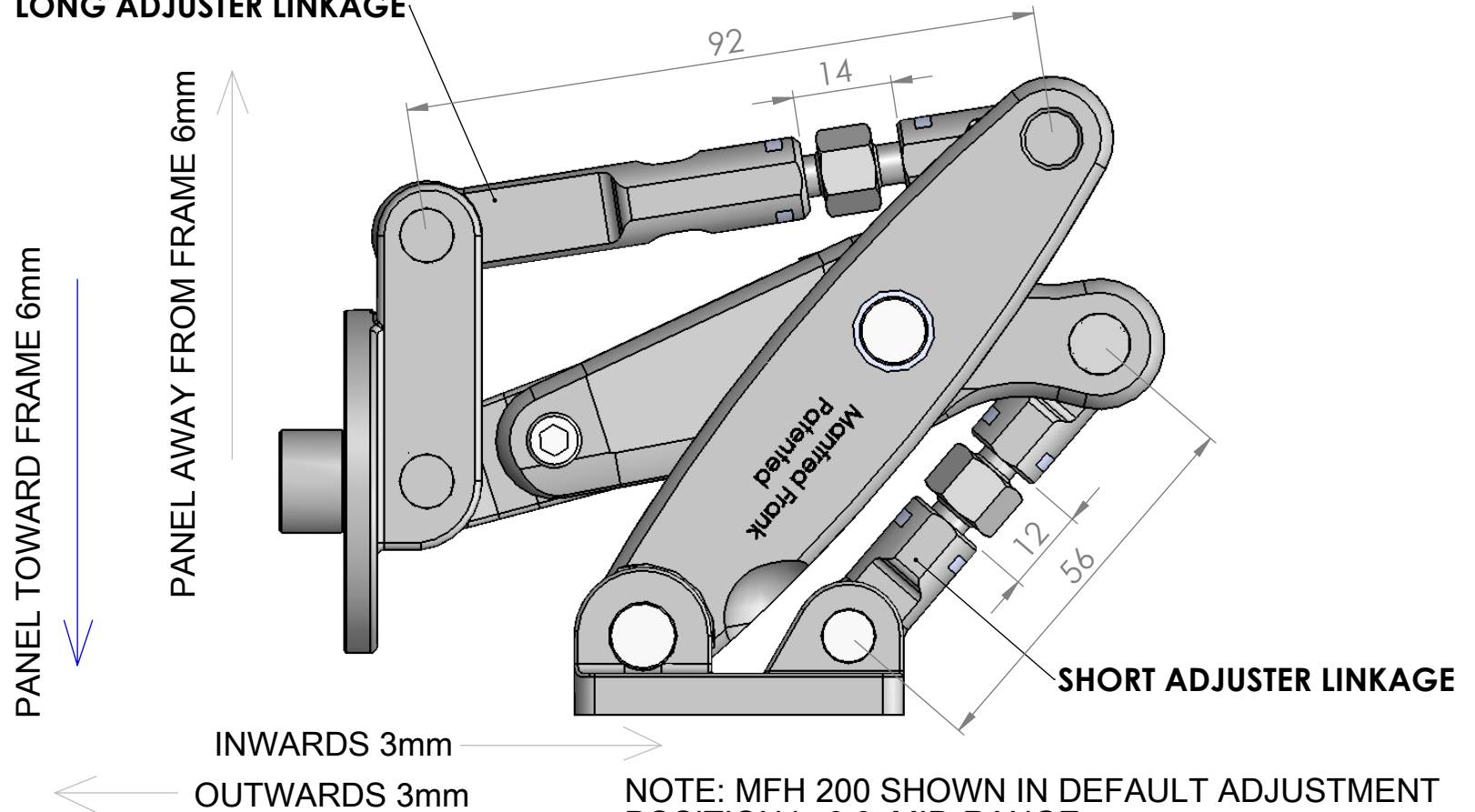


# MFH 200

LONG ADJUSTER LINKAGE



NOTE: MFH 200 SHOWN IN DEFAULT ADJUSTMENT POSITION ie 0,0 MID-RANGE

## MFH 200 Micromaster Adjustment

The following table gives the approximate number of turns on both the long and short adjustable linkages to enable the adjustment of the hinged panel

Description:	Long Adjuster Linkage	Short Adjuster Linkage
Move hinged panel TOWARDS frame 3mm	0.75 turns to shorten	0.75 turns to lengthen
Move hinged panel TOWARDS frame 6mm	1.5 turns to shorten	1.5 turns to lengthen
Move hinged panel AWAY from frame 3mm	0.75 turns to lengthen	0.75 turns to shorten
Move hinged panel AWAY from frame 6mm	1.25 turns to lengthen	1.25 turns to shorten
Move hinged panel INWARDS 3mm	1.5 turns to lengthen	0.5 turn to shorten
Move hinged panel OUTWARDS 3mm	1.25 turns to shorten	0.5 turn to lengthen

