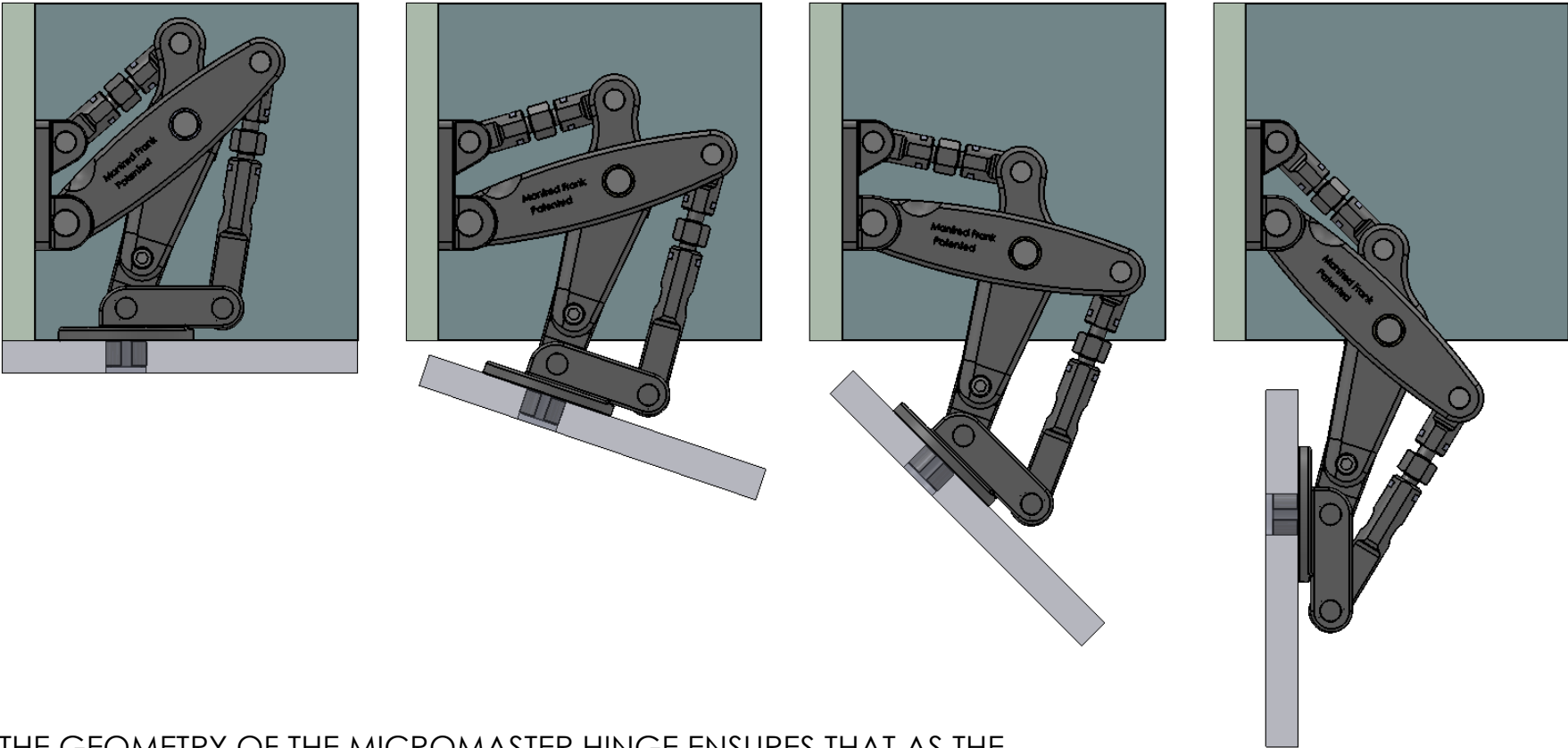


# MFH 200 AND MFH 300 MICROMASTER DOOR TRAJECTORY



THE GEOMETRY OF THE MICROMASTER HINGE ENSURES THAT AS THE DOOR OPENS IT MOVES OUTWARD AWAY FROM THE FRAME

